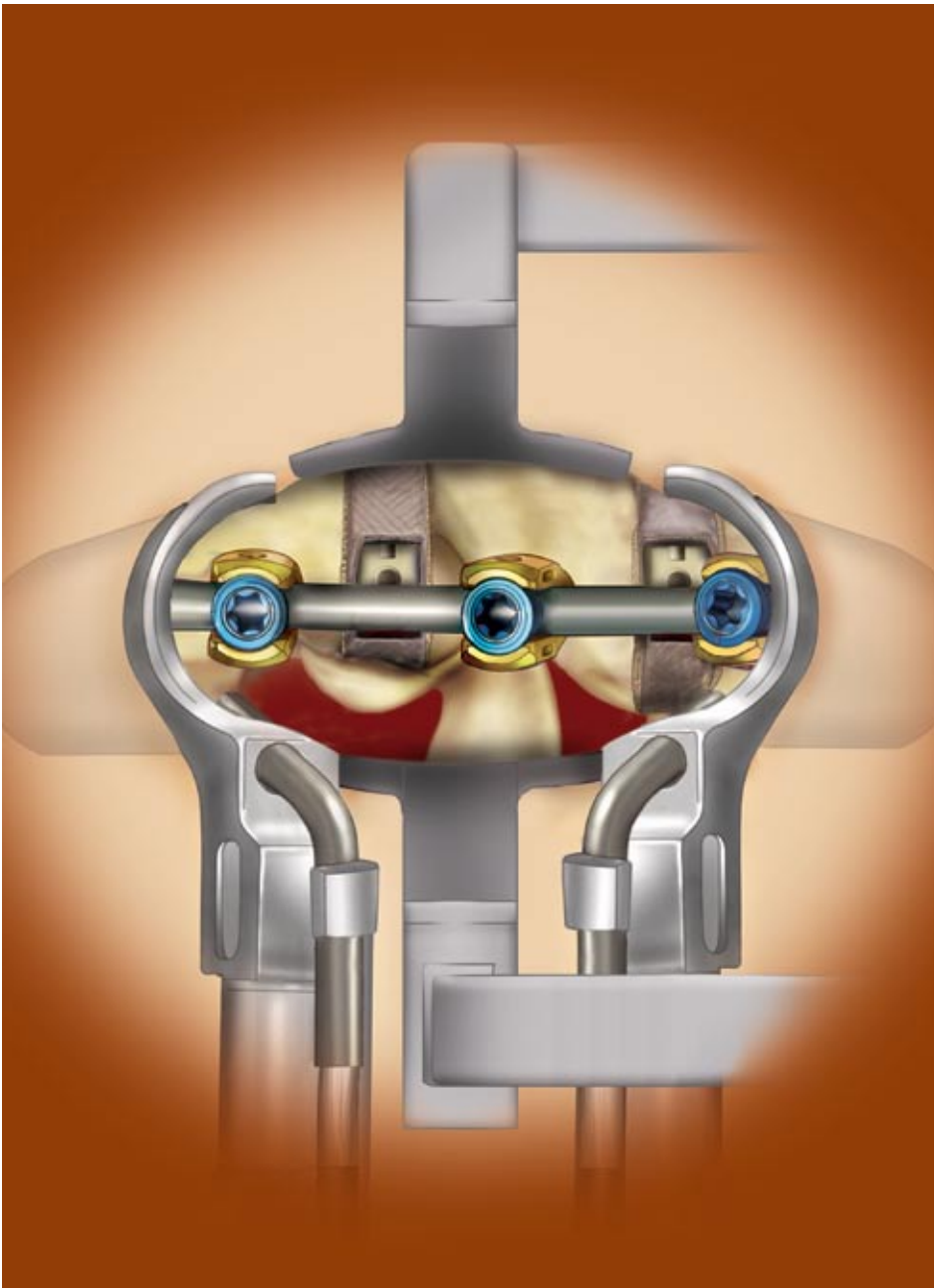


MAST QUADRANT™

Retractor System



The global leader in today's spine market, we combine our lifestyle friendly Minimal Access Spinal Technologies (MAST™), integrated image-guided products and neural monitoring tools to potentially help surgeons shorten surgical and recovery time and return patients more quickly to normal, active lives.

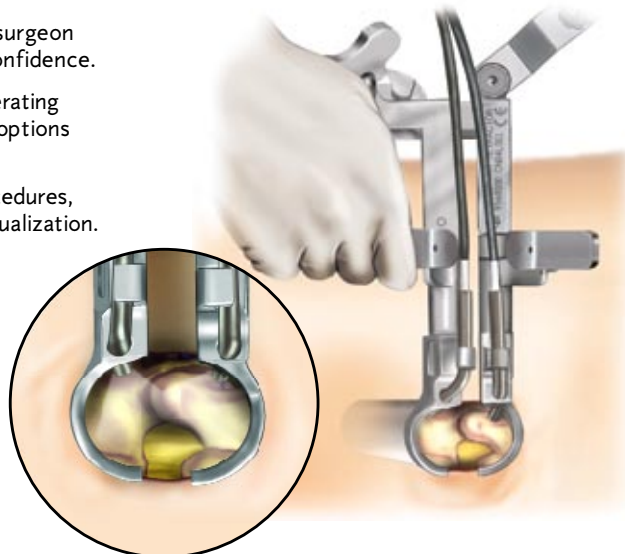
- MAST™ Capable
- Navigation Compatible
- NIM-SPINE® Monitor Ready

The MAST QUADRANT™ Retractor System provides surgeons with next-generation technology that will revolutionize the future of spine care.

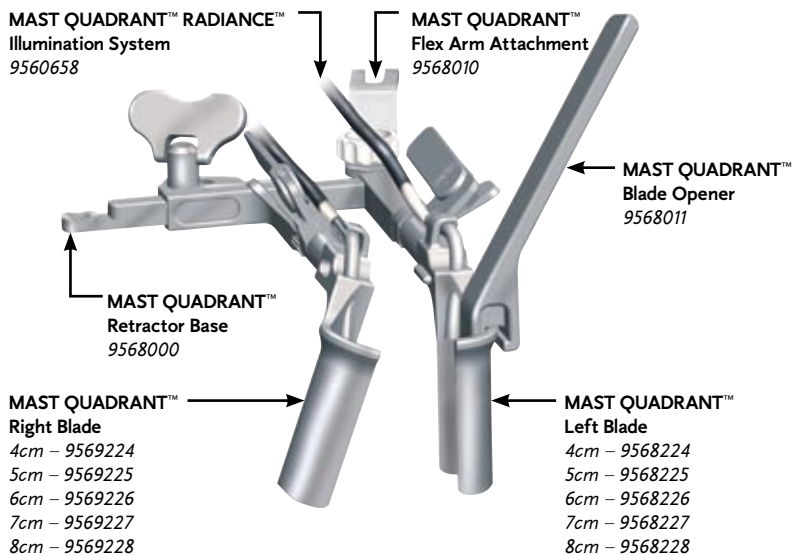
The Latest, Most Versatile and Reproducible Access System that may be used for Fusion Surgery

- Allows access for fixation and fusion in one approach, and it provides the surgeon with more versatility and reproducibility to perform fusion surgery with confidence.
- Features a familiar dilation technique for ease of use and no additional operating room time. The retraction capabilities provide the surgeon with the most options available today.
- Provides user-friendly approaches to single- and multiple-level fusion procedures, with multiple modes of visualization — microscopes, loupes, and direct visualization.
- Fully compatible with all standard neuromonitoring systems including the NIM-SPINE® System.
- The MAST QUADRANT™ Retractor System and the medial lateral blades eliminate tissue creepage and provide the surgeon with better visibility.

This Retractor System is an extension of Minimal Access Spinal Technologies (MAST™). With the addition of interbody options and a CD HORIZON® Cannulated Screw, a complete, reproducible, minimally invasive procedural solution is achieved.



Product Ordering Information



MAST QUADRANT™ Medial/Lateral Assembly	
Item	Description
9568008	Medial/Lateral Rack Assembly
9568006	MAST QUADRANT™ Retractor System Outer Tray
9568105	5cm Wide Blade
9568107	7cm Wide Blade
9568109	9cm Wide Blade
9568115	5cm Narrow Blade
9568117	7cm Narrow Blade
9568119	9cm Narrow Blade



MAST QUADRANT™ Cases and Trays	
Item	Description
185-064	Generic Outer Lid
9568012	MAST QUADRANT™ Outer Case
9568013	MAST QUADRANT™ Outer Tray

If needed, the MAST QUADRANT™ Medial Lateral Retractor System may be added. The Medial/Lateral blades slide onto the rack and sit between the existing MAST QUADRANT™ Retractor.

MEDTRONIC

Spinal and Biologics Business
Worldwide Headquarters

2600 Sofamor Danek Drive
Memphis, TN 38132

1800 Pyramid Place
Memphis, TN 38132

(901) 396-3133
(800) 876-3133

Customer Service: (800) 933-2635

www.sofamordanek.com

For more information go to www.myspinetools.com

©2007 Medtronic Sofamor Danek USA, Inc.
All Rights Reserved.

listen. respond. deliver.